




# CLARITY MARGAY II

The Clarity™ Margay II is the next generation Margay display for seamless, high definition video walls and banners. Ideal for digital signage and space-constrained control room environments, the Clarity Margay II utilizes DLP® technology with 1920x1080p resolution and BrilliantColor™ for superior HD video performance, impressive vibrant color and high brightness. Unique features like electronic uniformity correction and Set it and Forget it (SiFi™) auto color and brightness balancing ensure optimized video wall brightness and color matching performance and produce an impressive seamless image across a wall of Clarity Margay II's.

The Clarity Margay II is a narrow profile display that is only 18" deep with front and rear serviceability. The modular component design and solid state image alignment make set-up and service quick and easy. The Clarity Margay II also features our industry leading seamless screen design which ensures a rigid flat surface and a bracketing system that minimizes mullions and allows for curved video walls.



**FEATURES**

- High resolution**  
Full HD (1920 x 1080p)
- Industry leading screen technology**  
Flat, rugged, seamless, high contrast screens
- Outstanding video performance**  
DLP® Technology featuring BrilliantColor™
- Quick and easy setup**  
Solid-state image alignment
- Electronic uniformity correction**  
>90% Brightness Uniformity
- Optimized optical performance**  
SiFi™ auto color and brightness balancing option
- Narrow profile & easy serviceability**  
18" deep with front or rear service

## CLARITY MARGAY II: SPECIFICATIONS

|                                      |  |
|--------------------------------------|--|
| Screen diagonal                      | 50"  |
| Resolution                           | Full HD 1080p (1920 x 1080)  |
| Aspect ratio                         | 16:9   |
| Imaging technology                   | DLP Smooth Picture™ with BrilliantColor™ Technology  |
| Overscan                             | +/- 4%   |
| Lamp system                          | Single Lamp  |
| Lamp wattage                         | 132 watts  |
| Lamp life (median)*                  | 10,000 Hrs   |
| Screen type                          | Rugged High Contrast   |
| Full viewing angle                   | 180°   |
| Viewing angle (1/5 gain)             | +/- 40° (H/V)  |
| Border (typical)                     | 0  |
| Screen gap (typical)                 | < 0.7 mm image to image  |
| Brightness                           |  |
| 132 watt                             | 385 cd/m² ftL  |
|                                      | 640 ANSI Lumens  |
| Auto color and brightness balancing  | Optional SiFi™ ACB   |
| Brightness uniformity (w/correction) | > 90%  |
| Contrast ratio                       | 1600:1   |
| Power consumption                    | 170 W typical  |
| Operating temperature range          | 10-35°C  |
| Operating humidity range             | 20 to 80% non-condensing   |
| Serviceability                       | Full Front and Rear Access   |
| Colors                               | 16.7 million   |
| Color gamut                          | > 77% NTSC, 105% EBU   |
| Safety regulations                   | FCC Class A, EN55022/CISPR22, ICES-003, CNS 13438, EN55024, EN60950, RoHS  |
| Dimensions (in/cm)                   |  |
| Screen diagonal                      | 50" (127.1 cm)   |
| Width                                | 43.6" (110.8 cm)   |
| Height                               | 32.5" (82.5 cm)  |
| Depth                                | 18.1" (46 cm)  |
| Display weight                       | 89 lbs/40.4kg  |
| Maximum stacking**                   | 6  |
| Inputs                               | VGA to FHD (1920x1080 @ 60Hz)<br>Analog: D-Sub 15 pin connector with loop through<br>Digital: DVI-D with loop through<br>Video: SDI, Composite, S-Video, Component-HD (all w/loop through) |
| Control                              | WallNet, RS-232, IR remote control   |

\* Lamp manufacturer specification at IEC 61947-1 test conditions.

\*\* Additional rows should consult with Planar. Video walls stacked 3 high or taller should be tied back.

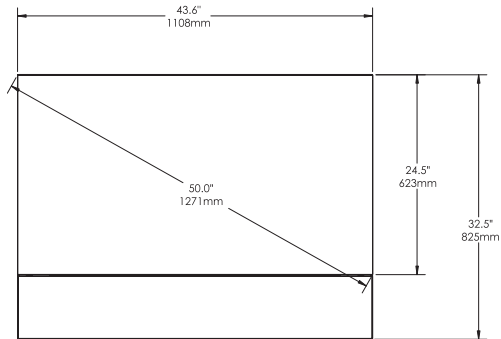
# CLARITY MARGAY II: PRODUCT DIMENSIONS



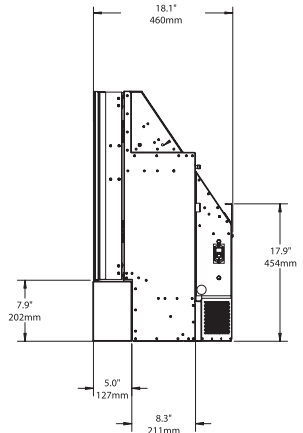
For more information

To learn more about the Clarity Margay II by Planar Systems, call 503-748-1100 or visit [www.planarcontrolroom.com](http://www.planarcontrolroom.com).

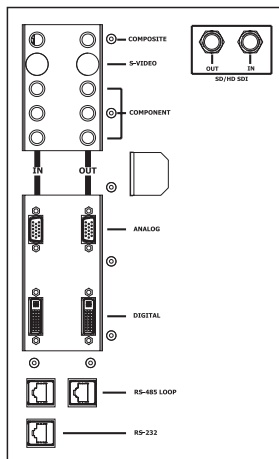
front



side



control panel



When image experience matters.

**Planar Systems, Inc.**  
 1195 NW Compton Drive  
 Beaverton, OR, 97006-1992, USA  
 Toll Free +1-866-475-2627  
[www.planar.com](http://www.planar.com)

Planar, Clarity and SIFI are trademarks of Planar Systems, Inc. All other trade and service marks are the property of their holders. DLP, SmoothPicture, BrilliantColor are registered trademarks of Texas Instruments. Copyright © 2008 Planar Systems, Inc. All rights reserved. This document may not be copied in any form without written permission from Planar Systems, Inc. Information in this document is subject to change without notice.